

Heat Management System for the Hydrogen Generation Industry



RAYCHEM TRACER

Utilities Systems Tracing

- Cooling water
- Low pressure steam lines
- Steam condensate
- Utility water



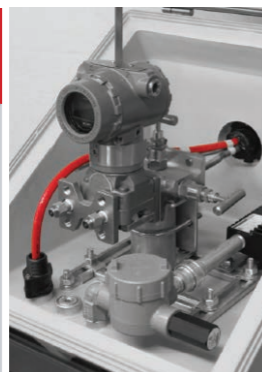
Process Pipe Tracing

- Process water
- Process gas line
- Process condensate
- Flare system
- PSA purge lines

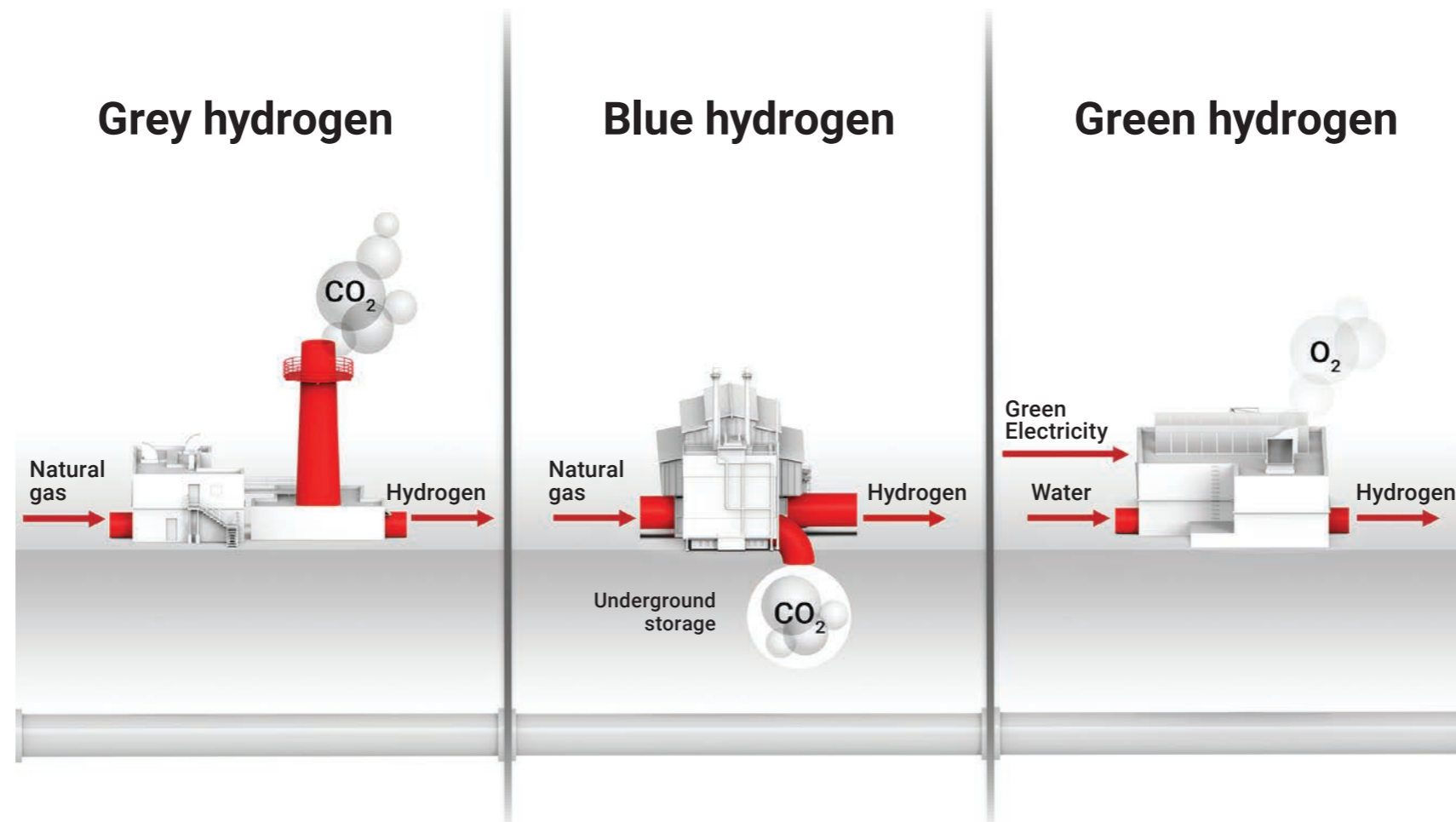


Instrumentation and Tubing Bundles

- Heated Instrument Enclosures
- Impulse Lines
- Sample Lines



The hydrogen generation market is in high demand as the need to produce cleaner fuel continues to grow. Ensuring industrial processes run efficiently is crucial. nVent Thermal Management provides a heat management system engineered to protect critical process temperatures and prevent utilities and instrumentation equipment from freezing.

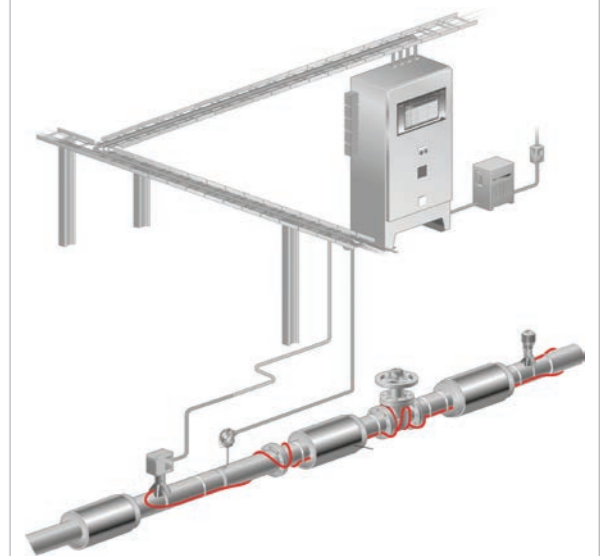


Heat Management System

A Heat Management System (HMS) is an engineered system designed to maintain or protect process piping, equipment, vessels and instrumentation at pre-determined temperatures and within defined design criteria.

Components of an HMS:

- Heat Delivery System
- Control & Monitoring
- Supervisory Software
- Power Distribution
- Thermal Insulation
- Instrument Winterization



For more info, visit [nVent.com/RAYCHEM](https://www.nVent.com/RAYCHEM)